



General Parameter	
Working Voltage	24V DC (12V DC available)
Cuttable	6LEDs/section or 14LEDs/section
LED Beam Angle	120
CRI	80/90
FPC Substrate Color	White
FPC Width	10mm/12mm
FPC Thickness	20Z/40Z
Working Temperature	0°C-40°C
Storage Temperature	-20°C-70°C
IP Rating	IP20, IP54, IP65, IP67
Lifespan	50,000h
Standard Package	5m/roll
Dimmable	Yes
Certificates	CE, RoHS, ETL

Applications

- Architectural lights for canopy, corridor, window, archway
- Backlight or edge lighting for signage
- Decorative lights for holiday, event, show, exhibition
- Cove lighting
- DIY lights for home use
- Path and contour marking



Electro-optical Characteristics

5050RGB+W 4in 1 Chip

LEDs/m	Wattage	Color	Luminous Flux
60LEDs	14.4W/m	RGB+3000K	740lm/m
		RGB+4000K	780lm/m
		RGB+6000K	780lm/m

LEDs/m	Wattage	Color	Luminous Flux
84LEDs	20W/m	RGB+3000K	1000lm/m
		RGB+4000K	1060lm/m
		RGB+6000K	1060lm/m

5050RGB+W(3014)

LEDs/ft	Wattage	Color	Luminous Flux
56LEDs	6W/ft	RGB+2200K	270lm/ft
		RGB+2700K	310lm/ft
		RGB+3000K	320lm/ft
		RGB+4000K	340lm/ft
		RGB+6000K	340lm/ft

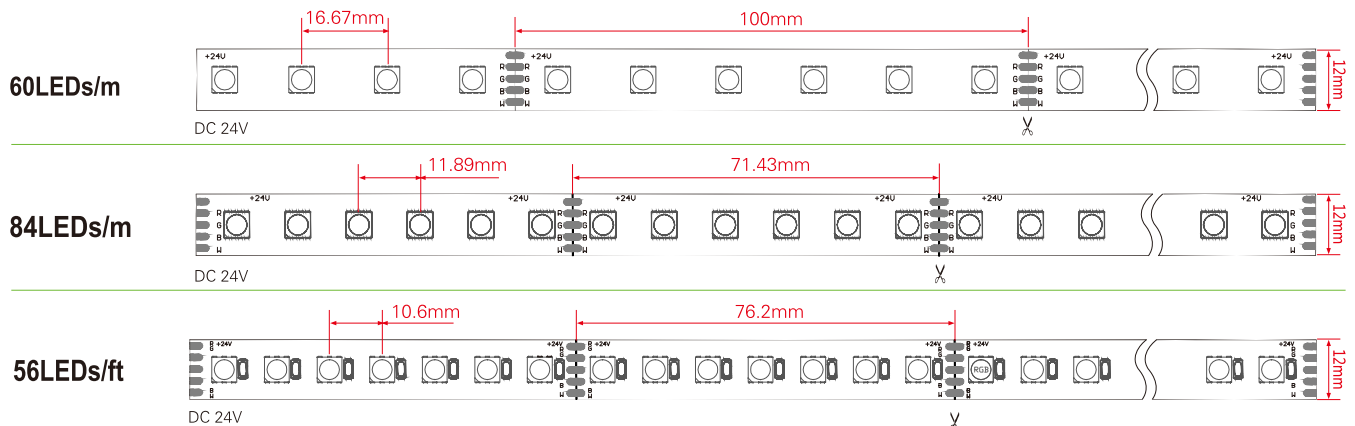
SKU Builder Direction

X1 Product Name		X2 LED Type		X3 LED Color		X4 LEDs		X5 FPC Color		X6 FPC Width		X7 IP Rate		X8 Voltage		X9 CRI	
Code		Code		Code		Code		Code		Code		Code		Code		Code	
FR	LED Strip Light	5050	SMD5050	RGBE	2200K	60	60LEDs/m	WH	White	10	10mm	I	IP20	12	12V DC	U	CRI>90
				RGBV	2700K	84	84LEDs/m			12	12mm	OE	IP54	24	24V DC	P	CRI>80
				RGBW	3000K	56	56LEDs/ft					OA	IP65				
				RGBN	4000K							OB	IP67				
				RGBC	6000K												

Example: $\frac{FR}{X1} \frac{5050}{X2} \frac{RGBV}{X3} \frac{60}{X4} \frac{WH}{X5} \frac{12}{X6} \frac{OE}{X7} \frac{24}{X8} \frac{U}{X9}$



Mechanical Diagram



Accessories

Picture	Part No.	Description
	SL-V-12XXXP SL-V-24XXXP	Plastic Power Supply,output: DC12V / 24V Output Power Options:12W,24W,36W,48W,60W,72W,96W,120W.
	SL-V-12XXXM SL-V-24XXXM	Metal Power Supply,output: DC12V / 24V Output Power Options: 25W,50W,60W,100W,145W,200W,250W,350W,400W,500W.
	SL-V-12XXX SL-V-24XXX	Waterproof Power Supply,output: DC12V / 24V Output Power Options:15W,18W,30W,40W,60W,100W,150W,200W.
	RC600RGBW	RGBW Controller 6Ax4 DC12V / 24V.
	SL-01RGBW	Crystal Plugs with 15cm waterproof wire.
	SL-XRR-2	5pin RGBW Connector for strips 10mm/12mm without wire.
	SL-XRR-2A	5pin RGBW Connector for strips 10mm/12mm without wire.
	SL-XRR-Ax2	5pin RGBW Connector for strips 10mm/12mm without wire.