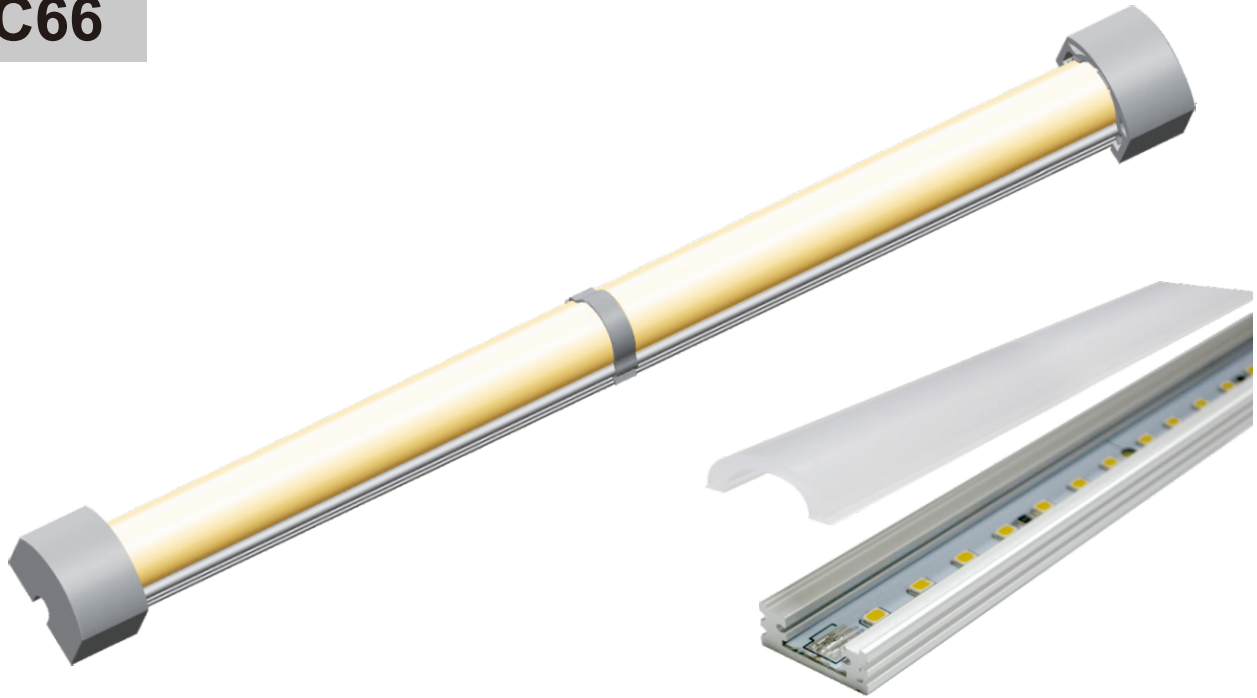


# LEDwise Channel light

**LEDwise**  
LEDWISE LIMITED



**LC66**



## DESCRIPTION

LC66 Aluminum LED Channel Light was specifically developed for applications where custom length, end-to-end illumination and easy on-site installation are crucial. Combining lengths customization with slim extrusion housing design as well as excellent light performance makes LC66 one of the most desirable linear LED lighting solutions available.

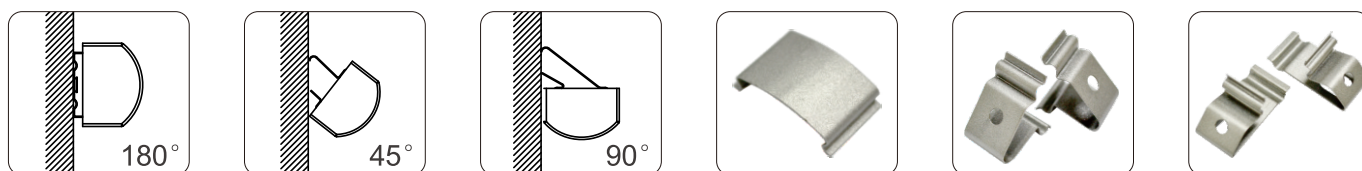
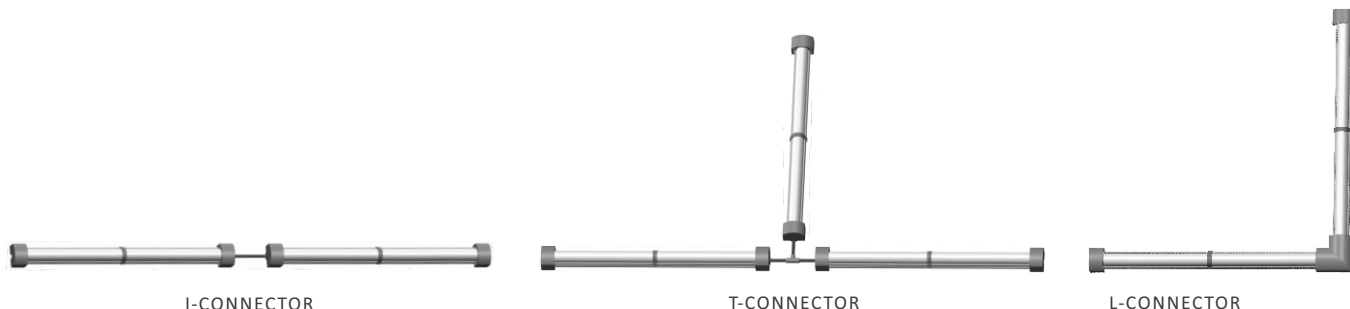
90+ CRI, customized power and brightness available up to 1,200 lumens per meter. Directly surface mounted using screws or adhesive tape, or with optional angled mounting brackets (order separately). End-to-end seamless connection achieved by jumpers, diffuser clip & base clip, Connection for various turns achieved by I, L & T shape wired connectors (refer page 4-7 for installation, connectors order separately). A Power feed end cap and a termination end cap comes along with each LC66 Channel Light.

Standard color 3,000K warm white and 6,000K cool white, different color temperature available upon request, warm glow dimming and tunable versions available upon request.



# LEDwise Channel light

**LEDwise**  
LEDWISE LIMITED



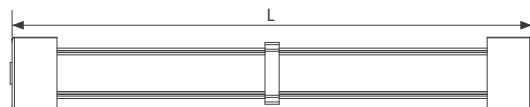
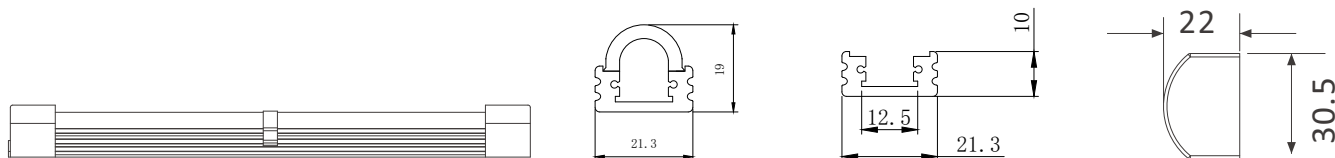
## Technical Data

Note: The data above is under the condition of Ta=25°C.

Part No.	LED Type	LED Qty	Wattage	CCT	Luminous Flux	CRI (Typ)
Warm Glow Dimming						
LC66-2835EW64S03D24-U	SMD 2835	64/ft	4W/ft	2000K-3000K	190lm/ft	90
Dimmable and Single color						
LC66-2835W28S03D24-U	SMD 2835	28/ft	5W/ft	3000K	320lm/ft	90
LC66-2835C28S03D24-U	SMD 2835	28/ft	5W/ft	6000K	340lm/ft	90



## Dimensional Drawing



PN	L±2
1FT	325mm
2FT	630mm
3FT	935mm
...	...

# LEDwise Channel light

**LEDwise**  
LEDWISE LIMITED



## Accessories

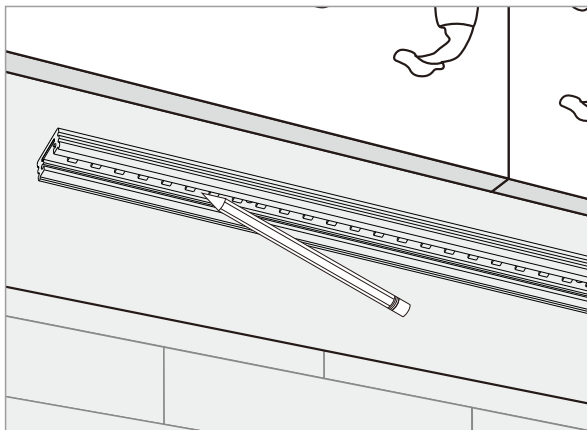
Power Feed Connector		LC66-PF-500MM	Power feed cable with connector, 500mm long with slot.
Jumper		LC66-JC-13MM	Jumper Wire with connectors, 13mm long.
L-Jumper		LC66-JCL-55MM	L shape jumper wire with connectors, 55mm long.
I or L - Connector		LC66-PFI-25MM	I or L shape power feed cable with connectors, 25mm long with slot.
T - Connector		LC66-PFTA-20MM	T shape power feed cable with connectors, 20mm long.
T - Connector		LC66-PFTB-90MM	T shape power feed cable with connectors, 90mm long with slot.
End Cap		LC66-ECN	End Cap without hole.
Power Feed End Cap		LC66-ECH	End Cap with hole.
T-End Cap		LC66-ECT	T shape end Cap.
L-End Cap		LC66-ECL	L shape end Cap.
Bracket		LC66-MMC-45	45° Mounting bracket.
Bracket		LC66-MMC-90	90° Mounting bracket.
Base Clip		LC66-BC	Metal clip.
Diffuser Clip		LC66-DC	Metal clip.

# LEDwise Channel light

**LEDwise**  
LEDWISE LIMITED

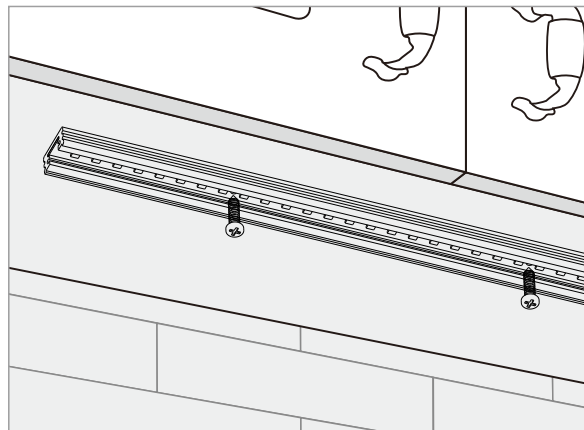


01



1. Place and level the fixture(s) in the predetermined location(s).
2. Mark points on the mounting surface through the mounting holes in the fixture.

02



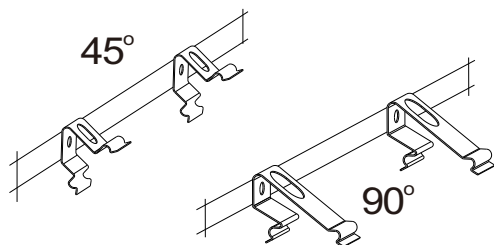
3. Drill appropriate sized holes at the marked points.
4. Secure the fixture with the provided mounting screws (PA3\*12).

**For wall and ceiling installations:**

Drill appropriate sized holes at the marked points and install anchors, then secure the fixture with the provided mounting screws (PA3\*12).

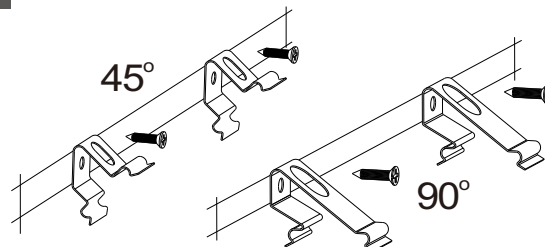
## Installation by 45° and 90° Mounting Brackets

01



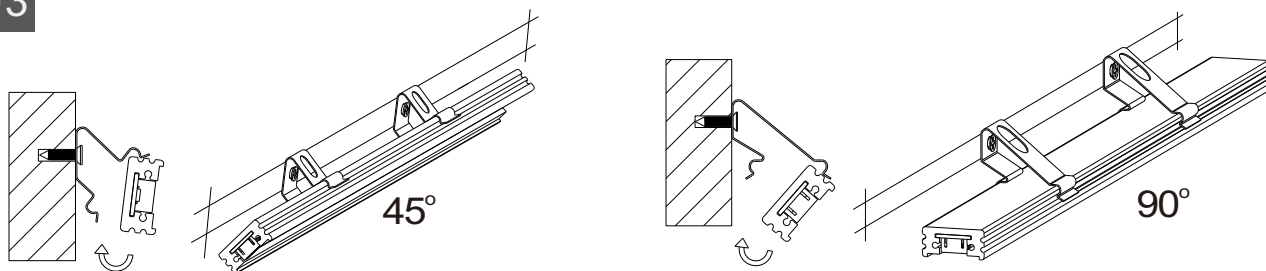
1. Plan placement configurations and recommended distance between brackets are 2/3 length of fixture.
2. Mark the points on the mounting surface.

02



3. Drill appropriate sized holes within the marked points.
4. Secure the brackets with the provided mounting screws (KA3\*12).

03



5. Place the fixture base into the top half of the bracket.
6. Rotate the bottom half of the fixture base until it snaps into place.

**For wall and ceiling installations:**

Drill appropriate sized holes at the marked points and install anchors, then secure the brackets with the provided mounting screws (KA3\*12).



# LEDwise Channel light

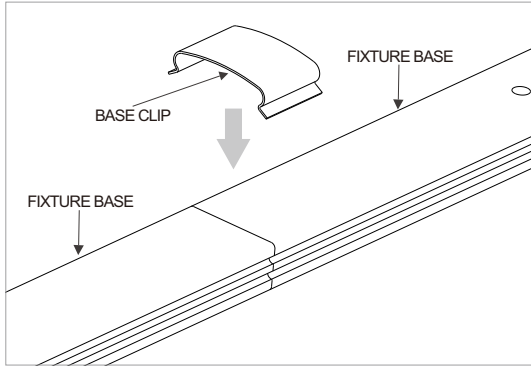
**LEDwise**  
LEDWISE LIMITED



**LEDwise**

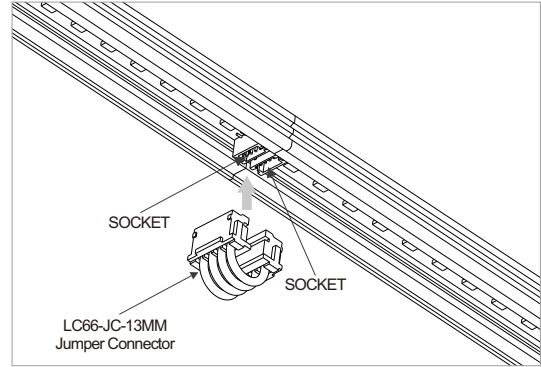
## Jumper Connector

01



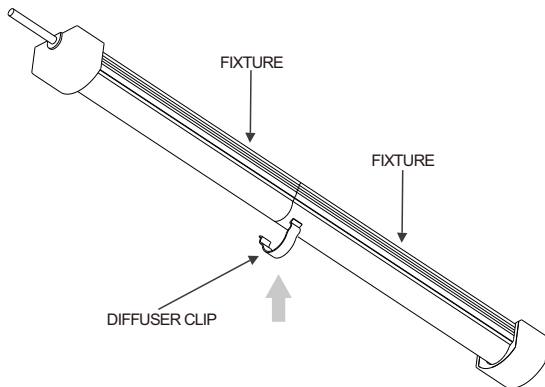
1. Place the base clip onto the joint of the fixture base

02



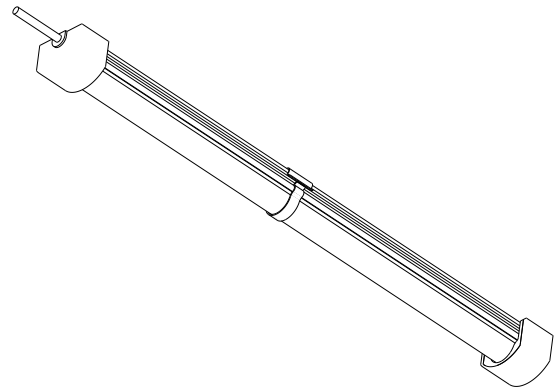
2. Plug each end of the LC66-JC-13mm to each fixture's socket.

03



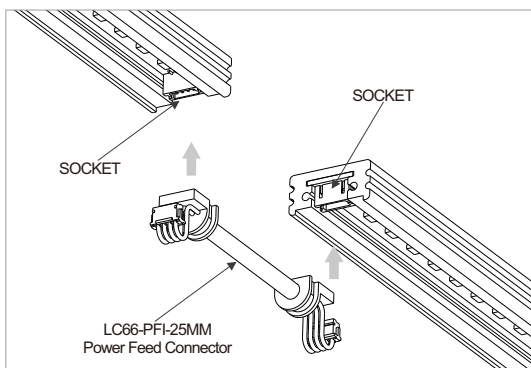
3. Push the diffuser onto the fixture.

4. Install the diffuser clip onto the joint of the fixture. (Refer to page 7 to install the power feed connector and the end caps).

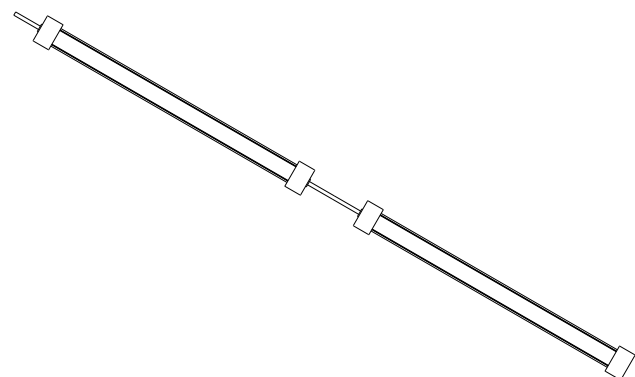


## I - Connector

01



1. Plug each end of the LC66-PFI-25MM to each fixture's socket.



2. Skip to page 7 to continue assembly.

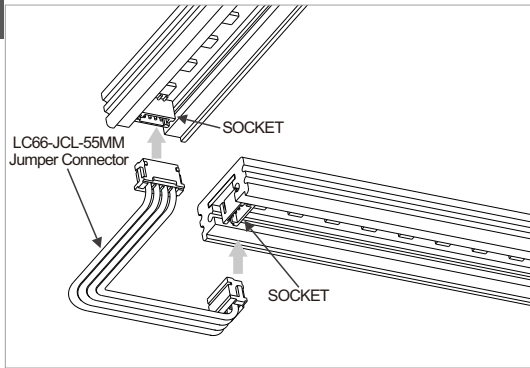
# LEDwise Channel light

**LEDwise**  
LEDWISE LIMITED

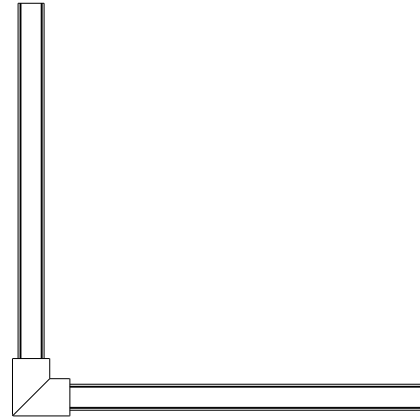


## L- Connector

01



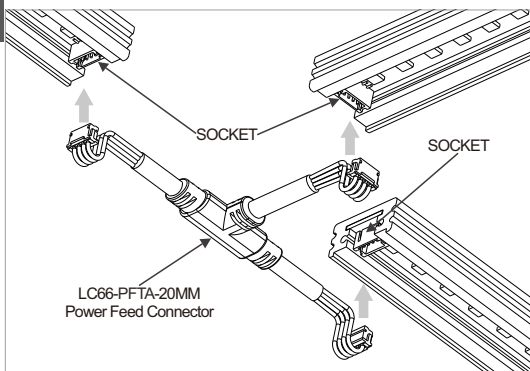
1. Plug each end of the LC66-JCL-55MM to each fixture's socket.



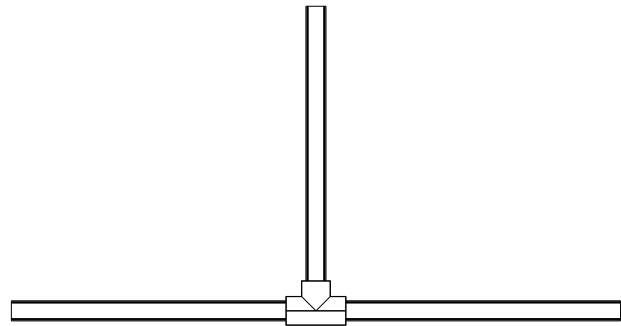
2. Skip to page 7 to continue assembly.

## T- Connector

01

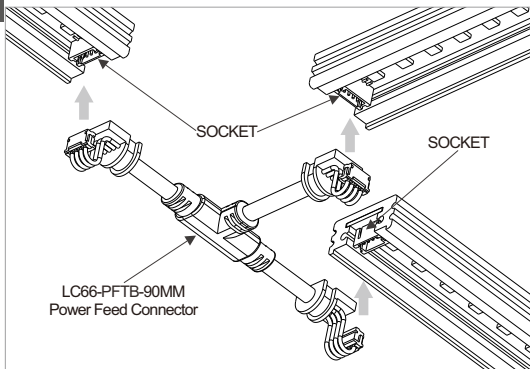


1. Plug each end of the LC66-PFTA-20MM to each fixture's socket.

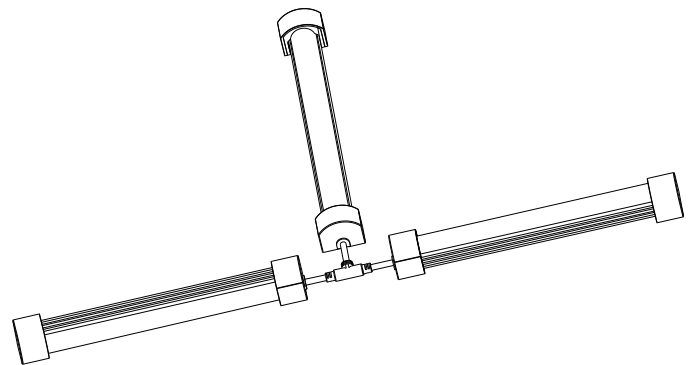


2. Skip to page 7 to continue assembly.

02



1. Plug each end of the LC66-PFTB-90MM to each fixture's socket.



2. Skip to page 7 to continue assembly.

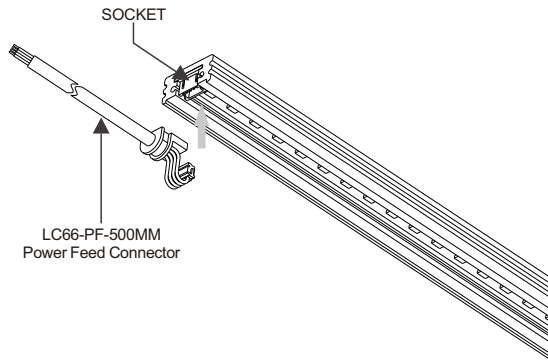
# LEDwise Channel light

**LEDwise**  
LEDWISE LIMITED



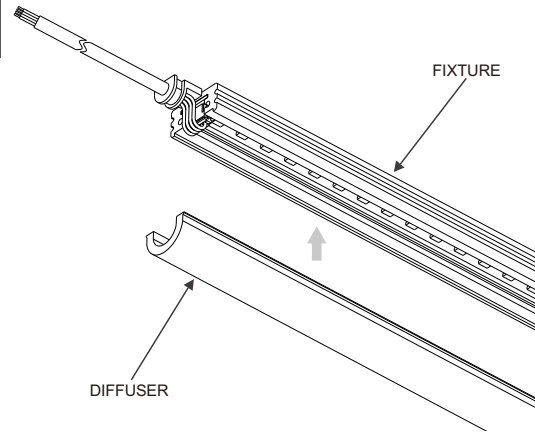
## Final Assembly

01



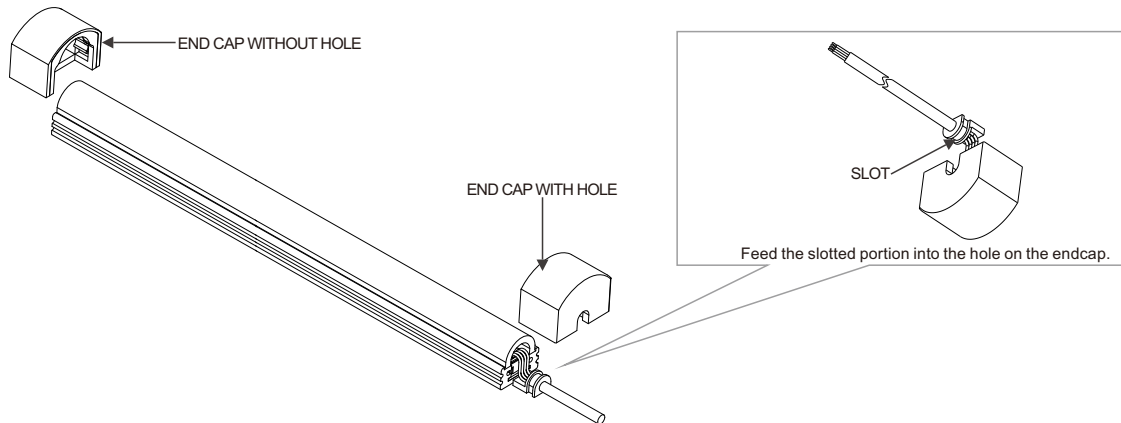
1. Plug the male end of the LC66-PF-500mm to the fixture's socket.

02



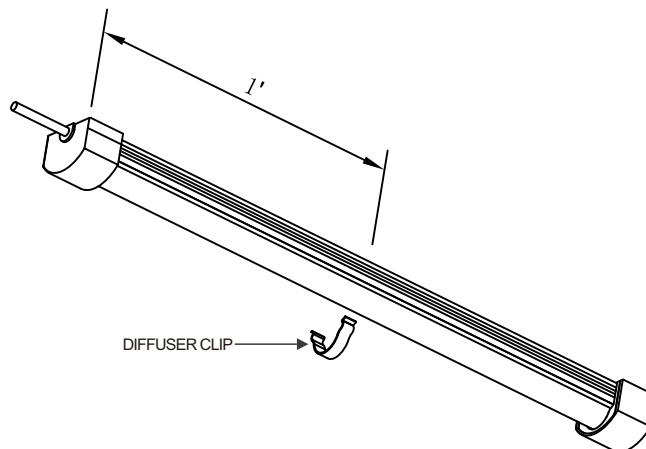
2. Push the diffuser onto the fixture.

03



3. Snap the end cap onto the fixture by pressing it downward.

04



4. Install the diffuser clip at every 1ft increment from the power feed end.